



BEST WEIGHT TO POWER RATIO IN THE WORLD



CP SERIES CP300DS

Constant Potential Portable X-Ray Generators



endsa.com



Ensayos No Destructivos S.A. de C.V.
EQUIPOS, ACCESORIOS Y CALIBRACIONES



TELEDYNE ICM
Everywhereyoulook™

Part of the Teledyne Imaging Group

Your inspection becomes a walk in the park



LIGHT-WEIGHT



100% DUTY CYCLE



CONSTANT
POTENTIAL



METAL CERAMIC
X-RAY TUBE



RUGGEDIZED



WIDE INPUT
POWER RANGE

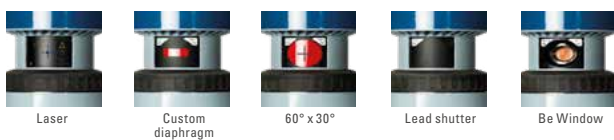
FEATURES

	Unit	SITEX CP300DS
Beam	-	Directional
Power supply	-	Mains
Output voltage range	kV	30 to 300
Tube current range	mA	0.5 to 6
Tube current at full output	mA	3
Maximum power at the anode	W	900
Constant power mode	-	Yes
Working cycle at 30°C (*)	%	100
Steel penetration (**)	mm/in	66 / 2.6
Weight	Kg/lbs	29 / 63.93
Overall dimensions	mm/in	Ø 180 x 837 / 7.1 x 33
Leakage dose at 1 m at full output	mSv/h	< 5.0
Optical focal spot according to EN 12543	mm/in	1 / 0.04
Maximum useful angle	°	60 x 30 elliptical
Inherent filtration	mm/in	0.8/ 0.03 (Be window)
Protection class	-	IP65
Operating temperature	°C/ F°	-30 to +60 / -22 to +140
Storage temperature	°C/ F°	-40 to +70 / -40 to +158

(*) Open air - airstream 5m/sec.

(**) 700 mm FFD, 10 min, AA400, D=2 for CPD

CP SERIES BUILD-IN CAROUSEL | 5 OUTPUT POSITIONS



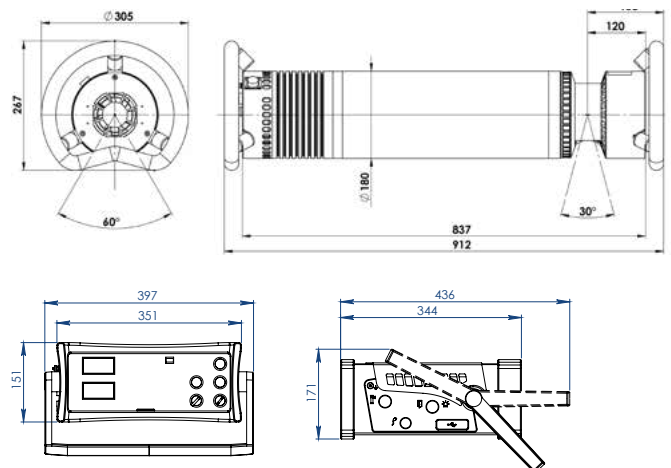
ACCESSORIES

Quadripod	Transport case
Holding bars	Flashing light
Tripod	Diaphragms
Pipe slider	Reinforced cable
Alucase	Tripod flashing light
Battery converter	

POWERBOX

	Unit	POWERBOX
Adjustable pre-warming time	sec	5 to 255
Pilote light indicator	-	3
Independent START and STOP	-	Yes
Two-position safety key rotary switch	-	X-ray ON / STANDBY
Preheating is function of selected kVs (kV max by default)	-	Automatic
Exposure time calculator	-	Optional
Programmable safety interlocks	-	3
Clear indication of the precise carousel system position	-	Yes
Type of power supply	-	Mains, Power generator, Battery (option)
Supply voltage range	VAC	From 90 to 264
Supply frequency range	Hz	From 45 to 66
Input power factor when at full output	%	99
Input current at full power, 230 VAC	A	6.0
Storage temperature	°C/ F°	-40 to +70 / -40 to 158
Operating temperature	°C/ F°	-30 to +55 / -22 to 131
Protection class	-	IP65
Weight	Kg/lbs	7.9 / 17.4

DRAWINGS



CDMX

Av. 517 No. 80, Col San Juan de Aragón 1a Sección, C.P. 07969, Alc. Gustavo A. Madero, México, CDMX.

(55) 5751 3787
(55) 5751 3767

Apodaca N.L.

Olimpia 1424 B Col. Nueva Lindavista, N.L. CP 67129

(81) 13672397
(81) 13574285



TELEDYNE ICM
Everywhere you look™

Part of the Teledyne Imaging Group